



Rapid Fiber Panel Series

Fiber Termination Panels with RapidReel Fiber Cable Spools



2016 PRODUCT CATALOG | 3RD EDITION

Contents

Rapid Fiber Panel Series

Overview	4-5
----------------	-----

Fiber Termination Panels with MPO Connector - (Indoor and Indoor/Outdoor Cable Options)

Specifications	6
Typical Applications	
Central Office/Data Center	7
Wireless Connectivity	8
1 RU (1.75" H) Rapid Fiber Panels	9
3 RU (5.25" H) Rapid Fiber Panels	10
4 RU (7" H) Rapid Fiber Panels	11
Optical Distribution Frames	12
FPX Series Fiber Panels	13

Fiber Termination Panels with Single Fiber Breakouts - (Indoor Cable Options)

Specifications	14
Typical Application Central Office/Data Center	15
1 RU (1.75" H) Rapid Fiber Panels	16
3 RU (5.25" H) Rapid Fiber Panels	17
4 RU (7" H) Rapid Fiber Panels	18
Frame Fanout Mounting Brackets	19

Fiber Termination Panels with Stub and Pulling Eye - (Indoor and Indoor/Outdoor Cable Options)

Specifications	20
Typical Application Central Office/Data Center	21
1 RU (1.75" H) Rapid Fiber Panels	22
3 RU (5.25" H) Rapid Fiber Panels	23
4 RU (7" H) Rapid Fiber Panels	24

Accessories

Fiber Inspection Kit	25
----------------------------	----

Specifications

3 mm 24-Fiber Zip Plenum Rated Microcable	26
3.6 mm 12-Fiber Indoor/Outdoor Singlemode Microcable	27

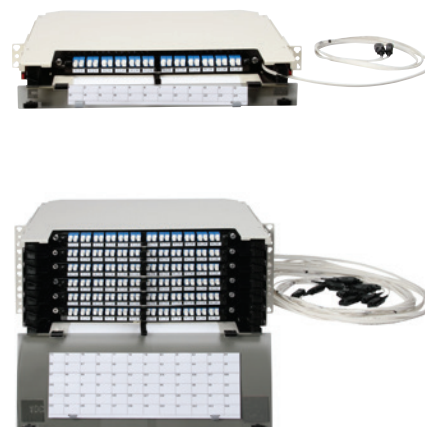
Rapid Fiber Panel Series

Overview

The Rapid Fiber panel is an important innovation in the fiber optic panel market. Serving as a key distribution point between the electronic equipment and the main optical distribution frame, the Rapid Fiber panel offers service providers unmatched savings in installation time, labor costs and performance.

Rapid Fiber panels utilize CommScope's unique RapidReel fiber cable spools to deploy dual 12-fiber microcables—which means the cable is always the right length. Available in 100' increments (up to 1000'), the microcable terminates to a single fiber breakout (SC or LC) or MPO which enables a plug-and-play connection to the main distribution frame or other point of connection. Stub-end cable options are available for splicing at the far end. The Rapid Fiber panel connector options and microcables ensure fast cable routing and easy handling by technicians; and offers maximum space savings for high density fiber applications.

The Rapid Fiber panel's combination of microcable, RapidReel spooling and connector technology in a single panel not only relieves cable congestion but also simplifies the ordering and inventory of equipment. The panel also features CommScope's industry-leading cable management—providing bend radius protection, intuitive cable routing paths and excellent physical protection for optimal network performance. Panels are available with SC or LC connectors on the front, singlemode or multimode, and Indoor/Outdoor or Plenum microcable with single fiber breakouts (SC or LC), MPO's or stubs on the far-end.



Benefits

- **Cost Savings:** RapidReel cable spools reduce upfront deployment costs by simplifying site survey inspections, reducing labor hours and streamlining cable deployment.
- **Speed of Deployment:** Pre-connectorized, plug-and-play solution eliminates splice labor requirements and speeds network construction.
- **Access:** Technician-friendly, front-facing interface ensures trouble-free maintenance and fast service turn-ups.
- **Simplified Ordering:** All-in-one panel, microcable and slack storage solution simplifies ordering and stocking requirements.
- **Space Savings – Rack Density:** Compact low loss MPO connector design and multi-fiber microcable is ideal for high density intrafacility applications. Excess fiber is stored within unit – no additional enclosures are required.
- **Space Savings – Overhead:** Each Rapid Fiber panel cable is the equivalent of 24 fiber jumpers—resulting in 70% space savings within FiberGuide cable management compared to 1.7 mm jumpers, and 85% space savings within ladder racking compared to standard IFC cable.
- **Performance:** Offers superior cable management with highly reliable connectors for uninterrupted network operation and high quality of service.

Rapid Fiber Panel Series

Overview

The Rapid Fiber panel incorporates the latest panel, cable and connector technology—and can help drive down total cost of installation by as much as 25%.

Key features:

Panel

- RapidReel fiber cable spools ensure IFC cable is always the right length; available in 100' increments (up to 1000')
- Spool assembly is equipped with a pulling eye for easy cable routing and installation
- Mounting brackets allow 19" or 23" rack installation
- Meets UL 1863 and NEBS Level 3 requirements for central office applications
- Seamlessly integrates with plug-and-play equipment such as CommScope's NG3, NGF, LGX and FDF fiber frames; or
- Any fiber frame equipment

Cable Types

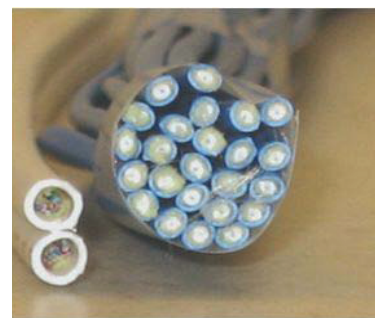
- Dual 12-fiber 3.6 mm singlemode indoor/outdoor cable; or
- Dual 12-fiber 3.0 mm plenum rated cable
- Single fiber breakout with pulling sock; or
- Cable stubs come with a pulling eye
- GR 409 compliant, robust microcable design to fit a variety of applications and environments
- Reduced bend radius fiber technology provides cable protection and reduces concerns around proper handling, slack storage, and attenuation loss from tight bends

Connectors

- Cable can be terminated to single fiber breakouts with SC/LC connectors or MPO connectors
- Panel available with singelmode SC/LC connectors
- Low MPO and SC/LC connector insertion loss and return loss minimizes impact on link loss budget
- Optical connectors designed and tested to GR 326 and GR 1435



RapidReel Cable Spools Speed Installation Requirements and Lowers Deployment Costs



Dual 12-Fiber 3.0 mm Microcables Compared with 24-Fiber Breakout Cable

Applications

- Central Offices
- Switch Centers
- Data Centers
- Intermediate frames and panels
- Co-location environments
- Cell Sites
- Intra-building networks

Rapid Fiber Panel Series

Fiber Termination Panels with MPO Connector

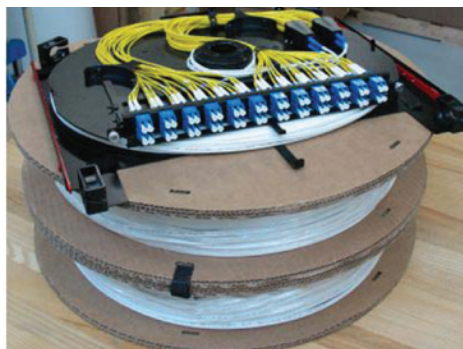
Specifications

	1 RU (1.75")	3 RU (5.25")	4 RU (7")
Mounting width:	19-inch or 23-inch, EIA or WECCO		
Recess options:	2, 4 or 5 inches (5.08, 10.16 or 12.7 cm)		
Spool assemblies per panel:	1	3	6
Connector types available on panel:	SC or LC	SC or LC	SC or LC
Ports per spool assembly:	SC=24, LC=48	SC =24, LC=48	24
Panel port capacity:	SC=24, LC=48	SC =72, LC=144	144
Payout cable connector types:	Singlemode or Multimode 12-fiber female MPO connectors		
Pulling eye pull force:	40 lbs (18.14 kg)		
Pulling eye diameter:	.72" (1.83 cm) 2 pulling eyes can be pulled through a 1.1" (2.8 cm) diameter opening		
Compliance:	UL 1863, NEBS Level 3, GR 1435, GR 326 and GR 409		

Maximum cable length shipped on internal spool

Panel Height	Fiber Terminations	LC (Indoor Plenum Cable)	SC (Indoor Plenum Cable)	LC (Indoor/Outdoor Riser Cable)	SC (Indoor/Outdoor Riser Cable)
1 RU	12	200 ft	200 ft	200 ft	200 ft
	24	100 ft	100 ft	100 ft	100 ft
	48	100 ft	N/A	N/A	N/A
3 RU	72	200 ft	200 ft	100 ft	100 ft
	144	100 ft	100 ft	N/A	N/A
4 RU	144	100 ft	100 ft	75 ft	75 ft

Note: Panels ordered with stub lengths listed above or shorter will be stored on the internal spool. For panels ordered with longer stub lengths the difference between the length ordered and the length above will be stored on a disposable external spool. In these situations the slide-in spool assemblies will ship separately from the chassis and will need to be installed in the field.

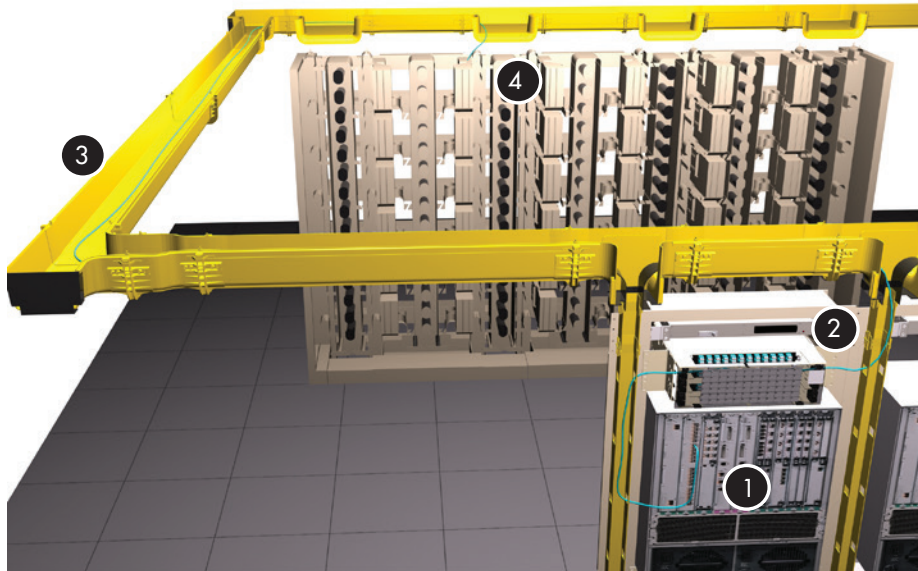


Rapid Fiber Panel with Internal Slide-In Spool and External Spool Assemblies (total up to 1000' microcable)

Rapid Fiber Panel Series

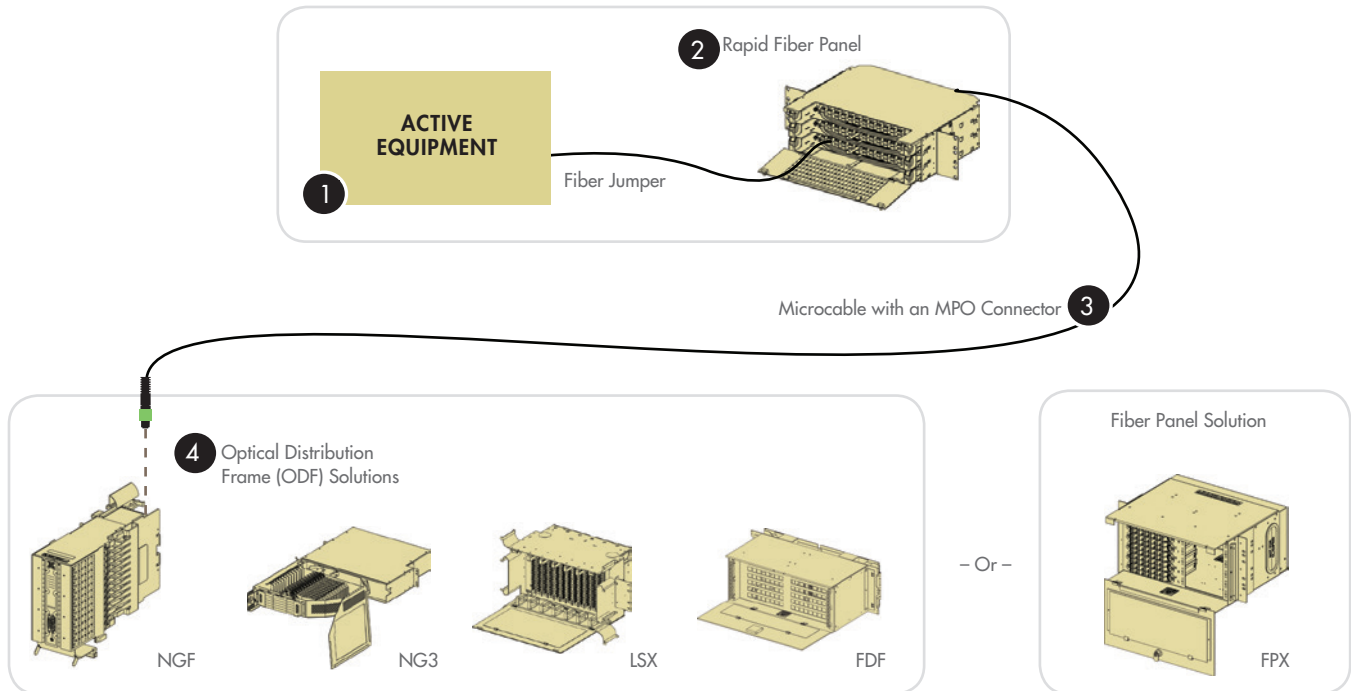
Fiber Termination Panels with MPO Connector

Typical Central Office/Data Center Application



Shown above is a rendering of a typical Rapid Fiber panel application. Below is an interconnection diagram that details the application and also highlights some of the available frame and panel options with MPO connectivity.

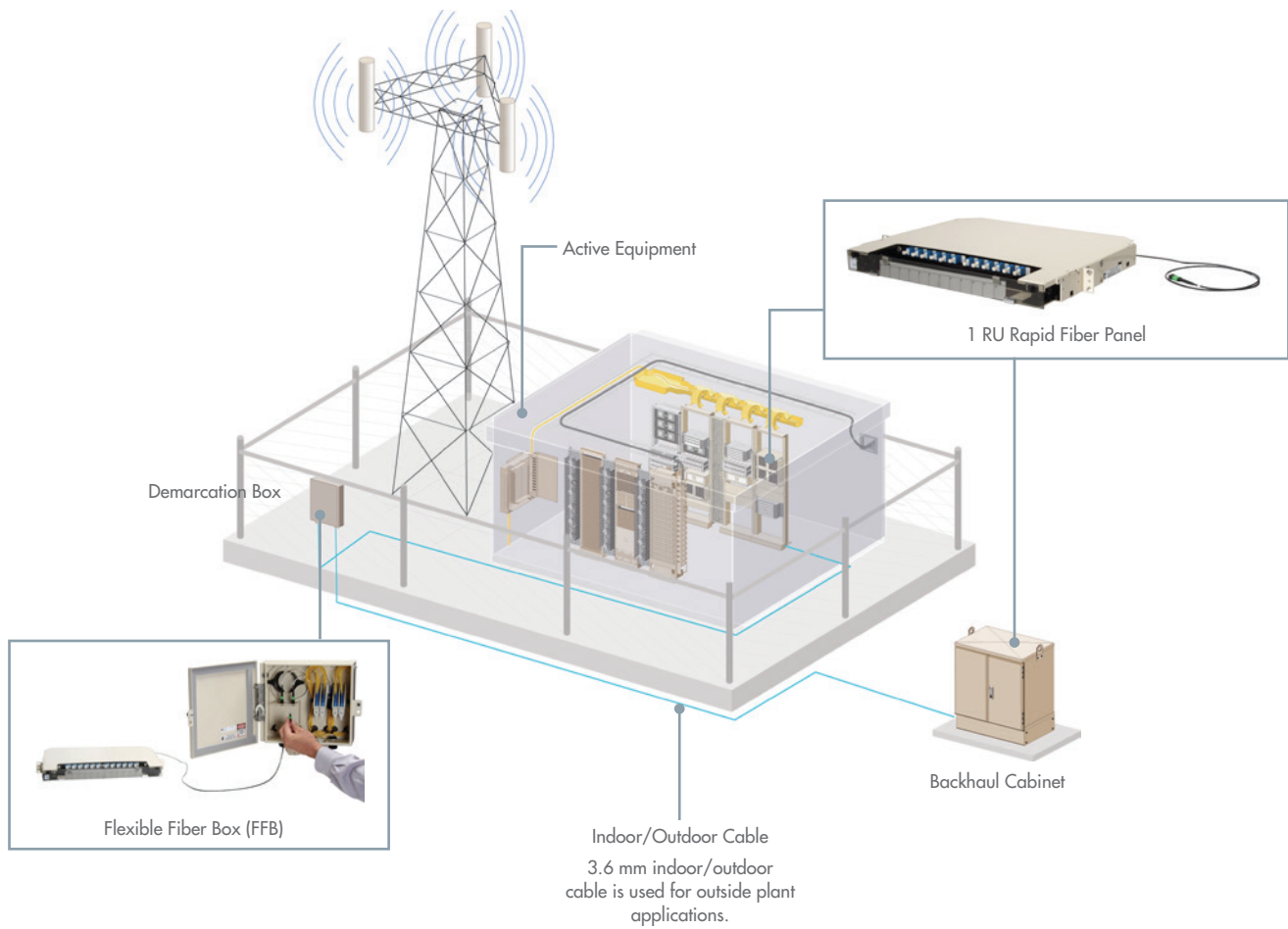
Active Equipment Bay



Rapid Fiber Panel Series

Fiber Termination Panels with MPO Connector

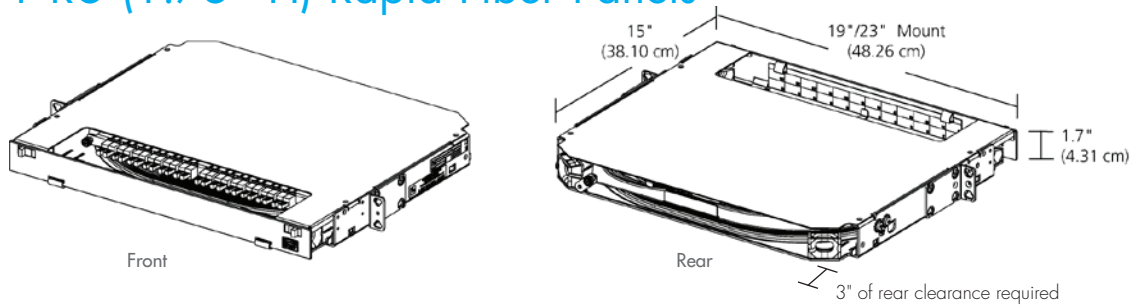
Typical Wireless Connectivity Application



Rapid Fiber Panel Series

Fiber Termination Panels with MPO Connector

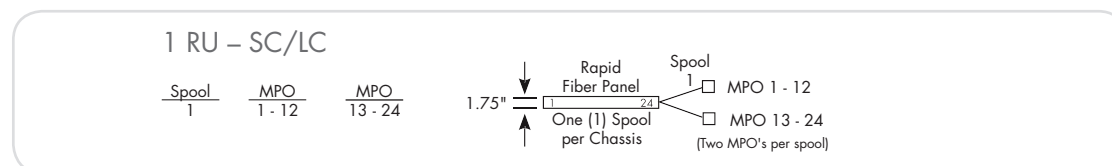
1 RU (1.75" H) Rapid Fiber Panels



Ordering Information

Description	Loaded with Cable Type	Connector Type	Part Number*
48-Position 1RU (1.75") Panel with MPO connector on far end; chassis contains 1 spool			
Singlemode reduced bend radius cable; Chassis: almond	Two Dual 12-fiber 3.0 mm plenum-rated cables	LC/UPC to MPO	RCP-1K4PUExxx00
		LC/APC to MPO	RCP-1Z4PUExxx00
Multimode 50/125 μm laser optimized to 500 meters (OM4) Chassis: black	Two Dual 12-fiber 3.0 mm plenum-rated cables	LC to MPO	RCPB-1C4PUMxxx00
24-Position 1RU (1.75") Panel with MPO connector on far end; chassis contains 1 spool			
Singlemode reduced bend radius cable; Chassis: almond	Dual 12-fiber 3.0 mm plenum-rated cable	SC/UPC to MPO	RCP-172PUExxx00
		LC/UPC to MPO	RCP-1K2PUExxx00
		SC/APC to MPO	RCP-1J2PUExxx00
	Dual 12-fiber 3.6 mm indoor/outdoor-rated cable	SC/UPC to MPO	RCP-172DUExxx00
		LC/UPC to MPO	RCP-1K2DUExxx00
		SC/APC to MPO	RCP-1J2DUExxx00
Multimode 50/125 μm laser optimized to 500 meters (OM4) Chassis: black	Dual 12-fiber 3.0 mm plenum-rated cable	SC to MPO	RCPB-1T2PUMxxx00
		LC to MPO	RCPB-1C2PUMxxx00
12-Position 1RU (1.75") Panel with MPO connector on far end; chassis contains 1 spool			
Singlemode reduced bend radius cable; Chassis: almond	12-fiber 3.0 mm plenum-rated cable	SC/UPC to MPO	RCP-171PUExxx00
		LC/UPC to MPO	RCP-1K1PUExxx00
		SC/APC to MPO	RCP-1J1PUExxx00
	12-fiber 3.6 mm indoor/outdoor-rated cable	SC/UPC to MPO	RCP-171DUExxx00
		LC/UPC to MPO	RCP-1K1DUExxx00
		SC/APC to MPO	RCP-1J1DUExxx00

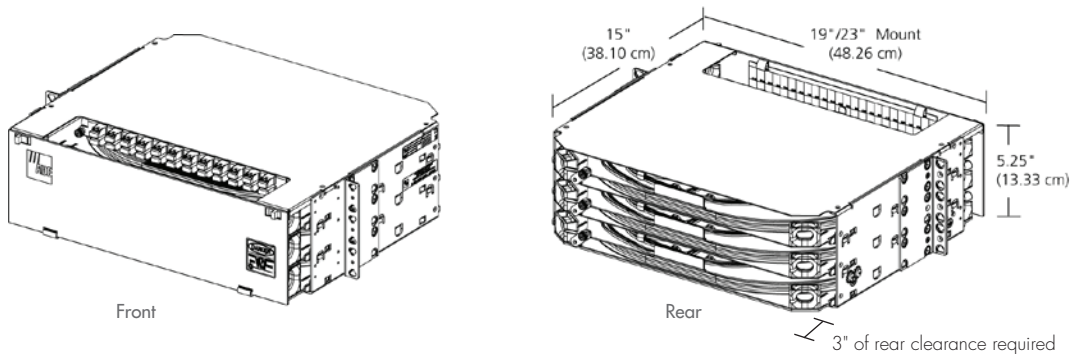
* Replace 'xxx' with standard length: 031=100ft (31m) or 061=200ft (61m) (ex: RCP-172PUE03100).
Additional cable lengths (in 100ft increments) are available; contact CommScope for assistance.



Rapid Fiber Panel Series

Fiber Termination Panels with MPO Connector

3 RU (5.25" H) Rapid Fiber Panels



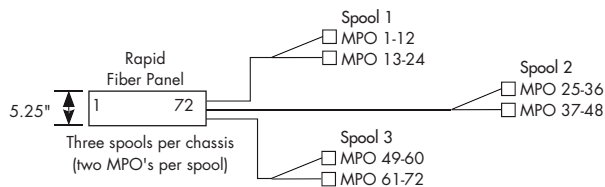
Ordering Information

Description	Loaded with Cable Type	Connector Type	Part Number*
72-Position 3RU (5.25") Panel with MPO connector on far end; chassis contains 3 spools			
Singlemode reduced bend radius cable; Chassis: almond	Dual 12-fiber 3.0 mm plenum-rated cable	SC/UPC to MPO	RCP-377PUExxx00
		SC/APC to MPO	RCP-3J7PUExxx00
	Dual 12-fiber 3.6 mm indoor/outdoor-rated cable	SC/UPC to MPO	RCP-377DUExxx00
		SC/APC to MPO	RCP-3J7DUExxx00
Multimode 50/125 μm laser optimized to 500 meters (OM4) Chassis: black	Dual 12-fiber 3.0 mm plenum-rated cable	SC to MPO	RCPB-3T7PUMxxx00
144-Position 3RU (5.25") Panel with MPO connector on far end; chassis contains 3 spools			
Singlemode reduced bend radius cable; Chassis: almond	(2) Dual 12-fiber 3.0 mm plenum-rated cable per spool	LC/UPC to MPO	RCP-3KAPUExxx00
Multimode 50/125 μm laser optimized to 500 meters (OM4) Chassis: black	(2) Dual 12-fiber 3.0 mm plenum-rated cable per spool	LC to MPO	RCPB-3CAPUMxxx00

* Replace 'xxx' with standard length: 031=100ft (31m) or 061=200ft (61m) (ex: RCP-377PUE03100).
Additional cable lengths (in 100ft increments) are available; contact CommScope for assistance.

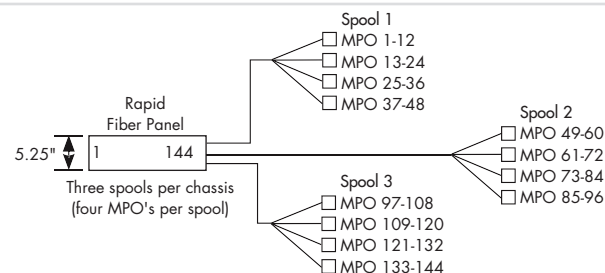
3 RU – SC Only

	MPO's	
Spool 1	1-12	13-24
Spool 2	25-36	37-48
Spool 3	49-60	61-72



3 RU – LC Only

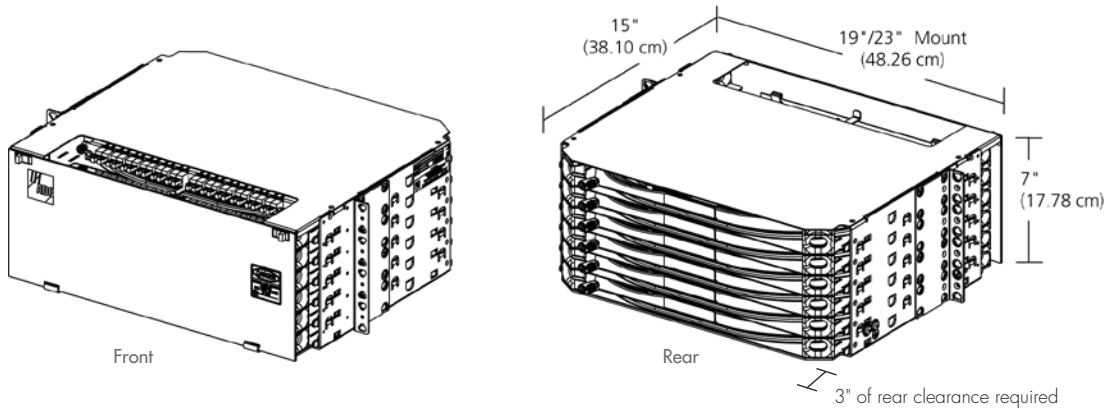
	MPO's			
Spool 1	1-12	13-24	25-36	37-48
Spool 2	49-60	61-72	73-84	85-96
Spool 3	97-108	109-120	121-132	133-144



Rapid Fiber Panel Series

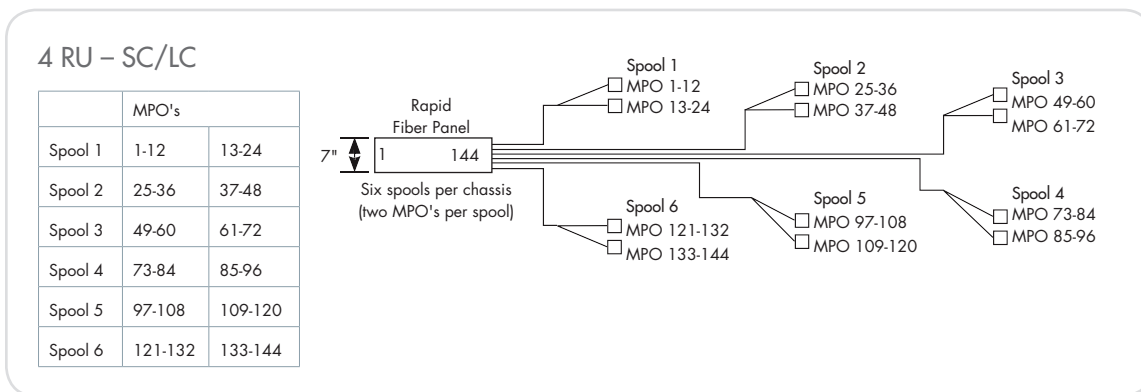
Fiber Termination Panels with MPO Connector

4 RU (7" H) Rapid Fiber Panels



Description	Loaded with Cable Type	Connector Type	Part Number*
144-Position 4RU (7.0") Panel with MPO connector on far end; chassis contains 6 spools			
Singlemode reduced bend radius cable; Chassis: almond	Dual 12-fiber 3.0 mm plenum-rated cable per spool	SC/UPC to MPO	RCP-47APUExxx00
		LC/UPC to MPO	RCP-4KAPUExxx00
		SC/APC to MPO	RCP-4JAPUExxx00
	Dual 12-fiber 3.6 mm indoor/outdoor-rated cable per spool	SC/UPC to MPO	RCP-47ADUExxx00
		LC/UPC to MPO	RCP-4KADUExxx00
		SC/APC to MPO	RCP-4JADUExxx00
Multimode 50/125 μm laser optimized to 500 meters (OM4) Chassis: black	Dual 12-fiber 3.0 mm plenum-rated cable per spool	SC to MPO	RCPB-4TAPUMxxx00
		LC to MPO	RCPB-4CAPUMxxx00

* Replace 'xxx' with standard length: 031=100ft (31m) or 061=200ft (61m) (ex: RCP-47APUE03100).
Additional cable lengths (in 100ft increments) are available; contact CommScope for assistance.



Rapid Fiber Panel Series

Fiber Termination Panels with MPO Connector

Ordering information

Description			Part Number
NGF	NGF Fiber Main Distributing Frame 1 Dimensions: 2.14 m x 762 mm x 610 mm (7' x 30" x 24") Maximum fiber capacity: 1,728 (2,304 using LC connectors)		NGF-MDF7A100-30
	NGF Preterminated Fiber Termination Block (FTB) with MPO Connectors; Capacity: 144		
	Connector Type	Left Block Orientation	Right Block Orientation
	SC/UPC Singlemode	NGF-MPML07512	NGF-MPMR07512
	LC/UPC Singlemode	NGF-MPML0K512	NGF-MPMR0K512
	SC/APC Singlemode	NGF-MPML0L512	NGF-MPMR0L512
	MMSC Multimode (aqua). Cable type: OM4	NGF-MPML0T112	NGF-MPMR0T112
	MMLC Multimode (aqua). Cable type: OM4	NGF-MPML0C112	NGF-MPMR0C112
NG3	NG3 Fiber Main Distributing Frame 2 Dimensions: 2.14 mm x 762 mm x 610 mm (7' x 30" x 24") Capacity: 1,440 terminations		NG3-MFTWN7A00
	NG3 Preterminated Fiber Termination Panel (FTP) with MPO Connectors		
	Connector type: SC/UPC Singlemode. Cable type: 72-fiber		NG3-TPA700-R
	Connector type: LC/UPC Singlemode. Cable type: 72-fiber		NG3-TPAK00-R
	Connector type: SC/APC Singlemode. Cable type: 72-fiber		NG3-TPAL00-R
	Connector type: MMLC Multimode (aqua). Cable type: 72-fiber, OM4		NG3-TPAC00-R
	Connector type: MMSC Multimode (aqua). Cable type: 72-fiber, OM4		NG3-TPAT00-R
LSX	LSX Chassis and MPO Cassette 3		
	LSX cassette-VAM chassis, unloaded. Height: 9" Vertically mounts up to 12 LSX MPO cassettes		FVM-VLM19X900-W
	LSX MPO cassette. Features (12) SC/UPC connector-style adapter ports		LSX-MOD712C
	LSX MPO Cassette. Features (12) SC/APC connector-style adapter ports		LSX-MODL12C
8" FDF	8" FDF Fiber Main Distributing Frame 4 Dimensions: 2.14 m x 660 mm x 305 mm (7' x 26" x 12") Maximum fiber capacity: 1,152 terminations		E-501-L91
	8" FDF Preterminated Fiber Termination Panels		
	Connector type: SC/UPC Singlemode. Cable type: 72-fiber		FCM-67M000
	Connector type: SC/APC Singlemode. Cable type: 72-fiber		FCM-6LM000
	Connector type: MMSC Multimode (aqua). Cable type: 72-fiber, OM4		FCM-6TM000

¹ See page 4 of literature number 103742AE (ODF Catalog) for additional NGF ordering information.

² See page 32 of document number 103742AE (ODF Catalog) for additional NG3 ordering information.

³ See page 69 of document number 103742AE (ODF Catalog) for additional LSX ordering information.

⁴ See page 54 of document number 103742AE (ODF Catalog) for additional FDF ordering information.

Rapid Fiber Panel Series

Fiber Termination Panels with MPO Connector

Ordering information

Description			Height	Part Number
FPX				
FPX Series Empty Panel; Termination only rack or cabinet mount panel, putty white	1 RU empty FPX panel, putty white; accommodates 1 angle LEFT and 1 angle RIGHT adapter packs; Handle latch close		1.75"	FPX-1TR000-000
	2 RU empty FPX panel, putty white; accommodates 2 angle LEFT and 2 angle RIGHT adapter packs; Handle latch close		3.50"	FPX-2TR000-000
	3 RU empty FPX panel, putty white; accommodates 3 angle LEFT and 3 angle RIGHT adapter packs; Handle latch close		5.25"	FPX-3TR000-000
	4 RU empty FPX panel, putty white; accommodates 4 angle LEFT and 4 angle RIGHT adapter packs; Handle latch close		7.00"	FPX-4TR000-000
	5 RU empty FPX panel, putty white; accommodates 6 angle LEFT and 6 angle RIGHT adapter packs; Handle latch close		8.75"	FPX-5TR000-000
	Accessories; Blank plates			
FPX MPO Cassettes	Multimode MPO cassettes	12 fiber FPX cassettes; 12 SC (aqua) multimode adapters; 50/125 fiber laser optimized to 300 meters (OM4)	Angle LEFT cassette	FPX-12MPLQA9
			Angle RIGHT cassette	FPX-12MPRQA9
		24 fiber FPX cassettes; 12 LC (aqua) multimode adapters ¹ ; 50/125 fiber laser optimized to 300 meters (OM4)	Angle LEFT cassette	FPX-24MPLQA6
			Angle RIGHT cassette	FPX-24MPRQA6
	Singlemode MPO cassettes	12 fiber FPX cassettes; 12 SC/UPC singlemode adapters; singlemode fiber	Angle LEFT cassette	FPX-12MPLS07
			Angle RIGHT cassette	FPX-12MPRS07
		24 fiber FPX cassettes; 12 LC/UPC singlemode adapters ¹ ; singlemode fiber	Angle LEFT cassette	FPX-24MPLS08
			Angle RIGHT cassette	FPX-24MPRS08
		12 fiber FPX cassettes; 12 SC/APC singlemode adapters; singlemode fiber	Angle LEFT cassette	FPX-12MPLSQJ
			Angle RIGHT cassette	FPX-12MPRSQJ

¹ Each LC adapter accepts 2 fiber each

² See document number 109156AE for additional FPX ordering information.

Rapid Fiber Panel Series

Fiber Termination Panels with Single Fiber Breakouts

The Rapid Fiber panel is available with a dual 12-fiber SC or LC fanout assemblies. Kits are available for securing the fanouts to the rear of standard optical equipment, such as the NG3 and LSX fiber distribution frame and FPX panel. For easy cable routing and handling, a pull sock is included—one per each fanout assembly.



Panel shown with Fanout Assembly



Panel shown with Pulling Sock Over Fanout Assembly

Specifications

	1 RU (1.75")	3 RU (5.25")	4 RU (7")
Mounting width:	19-inch or 23-inch, EIA or WECCO		
Recess options:	2, 4 or 5 inches (5.08, 10.16 or 12.7 cm)		
Spool assemblies per panel:	1	3	6
Connector types available on panel:	SC or LC	SC	SC or LC
Ports per spool assembly:	SC=24, LC=48	24	24
Panel port capacity:	SC=24, LC=48	72	144
Payout cable connector types:	SC or LC	SC or LC	SC or LC
Breakout fiber type:		2mm Jacketed	
Fanout to connector cable length:	67" (1.70m) – other lengths available		
Pulling sock pull force:	40 lbs (18.14 kg)		
Pulling sock diameter:	2.5" (6.35 cm)		
Compliance:	UL 1863, NEBS Level 3, GR 1435, GR 326 and GR 409		

Rapid Fiber Panel Series

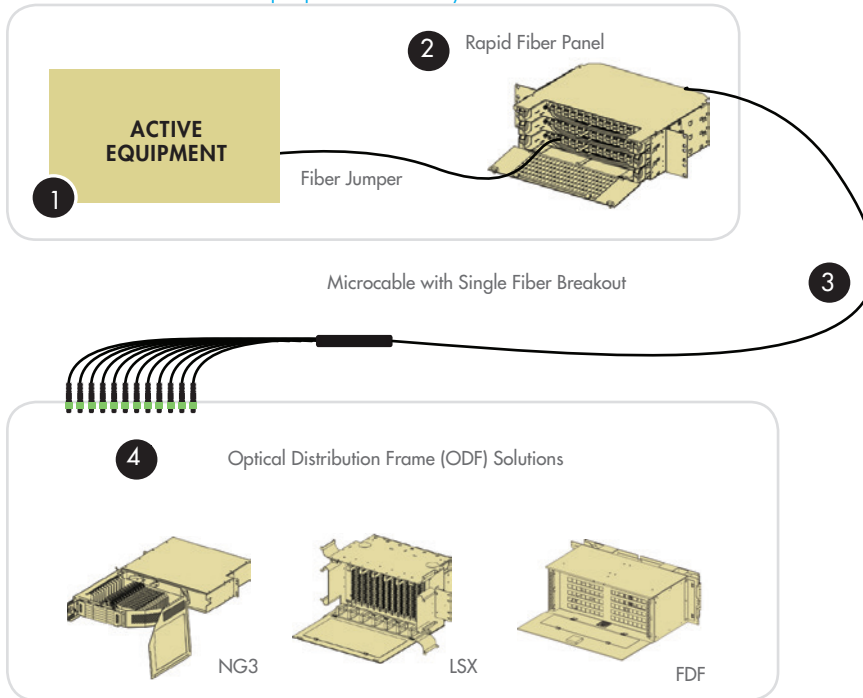
Fiber Termination Panels with Single Fiber Breakouts

Typical Central Office/Data Center Application



Shown above is a rendering of a typical Rapid Fiber panel application. Below is an interconnection diagram that details the application and also highlights some of the available frame and panel options with single fiber breakout connectivity.

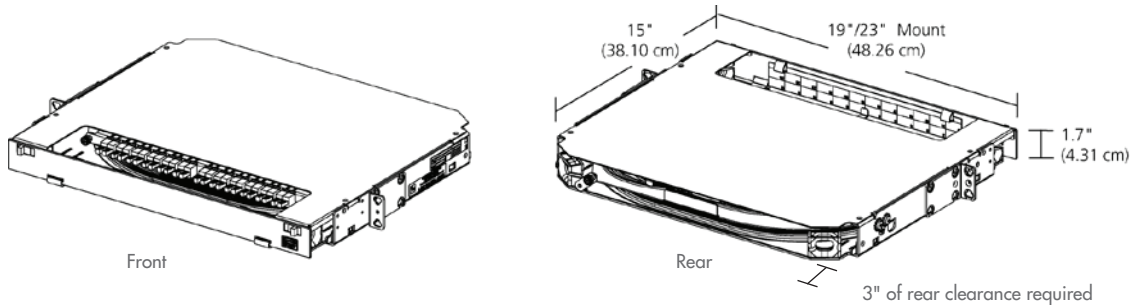
Active Equipment Bay



Rapid Fiber Panel Series

Fiber Termination Panels with Single Fiber Breakouts

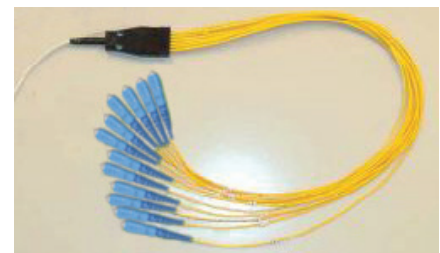
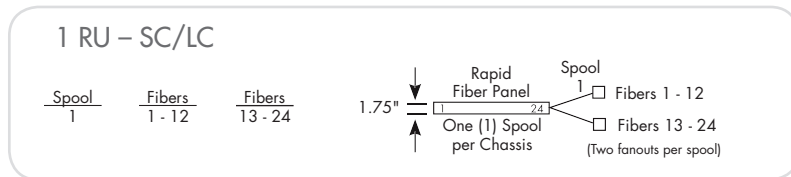
1 RU (1.75" H) Rapid Fiber Panels



Ordering Information

Description	Connector Type	Part Number
24-Position 1RU (1.75") Panel with 2mm single fiber breakouts on far end; chassis contains 1 spool		
Loaded with dual 12-fiber 3.0 mm plenum-rated, singlemode reduced bend radius cable Chassis: almond	SC/UPC at panel end with SC/UPC on far end	RCP-172PU7xxxxyy
	SC/UPC at panel end with SC/APC on far end	RCP-172PUJxxxxyy
	SC/UPC at panel end with LC/UPC on far end	RCP-172PUKxxxxyy
	SC/APC at panel end with SC/UPC on far end	RCP-1J2PU7xxxxyy
	SC/APC at panel end with SC/APC on far end	RCP-1J2PUJxxxxyy
	SC/APC at panel end with LC/UPC on far end	RCP-1J2PUKxxxxyy
	LC/UPC at panel end with SC/UPC on far end	RCP-1K2PU7xxxxyy
	LC/UPC at panel end with SC/APC on far end	RCP-1K2PUJxxxxyy
	LC/UPC at panel end with LC/UPC on far end	RCP-1K2PUKxxxxyy
48-Position 1RU (1.75") Panel with 2mm single fiber breakouts on far end; chassis contains 1 spool		
Loaded with two dual 12-fiber 3.0 mm plenum-rated, singlemode reduced bend radius cable. Chassis: almond	LC/UPC at panel end with LC/UPC on far end	RCP-1K4PUKxxxxyy
	LC/APC at panel end with LC/APC on far end	RCP-1Z4PUZxxxxyy

* Replace 'xxx' with standard length: 031=100ft (31m) or 061=200ft (61m) (ex: RCP-172PU703167).
 Replace 'yy' with desired single-fiber breakout length in inches: 25, 39, 45, and 67" available.
 Additional cable lengths (in 100ft increments) are available; contact CommScope for assistance.

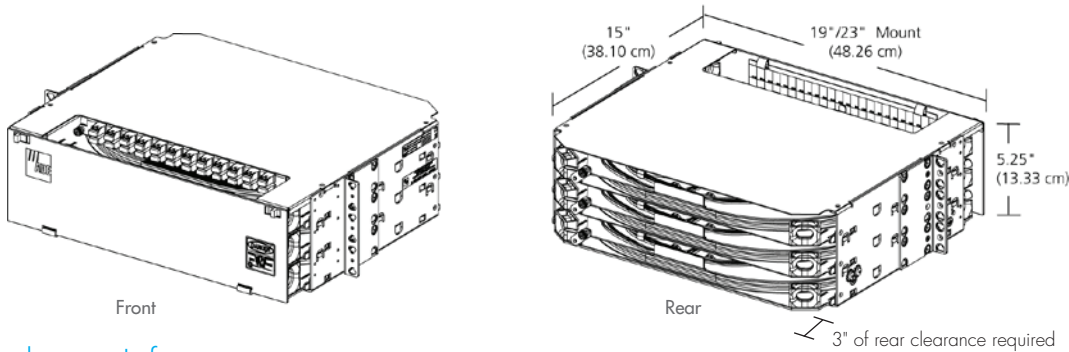


12-Fiber Breakout shown with 2mm SC/UPC Connectors

Rapid Fiber Panel Series

Fiber Termination Panels with Single Fiber Breakouts

3 RU (5.25" H) Rapid Fiber Panels



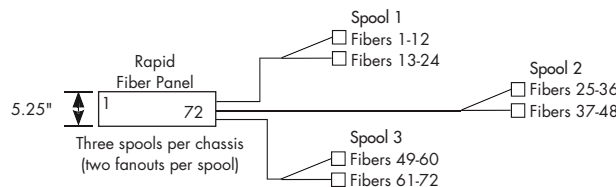
Ordering Information

Description	Connector Type	Part Number
72-Position 3RU (5.25") Panel with 2mm single fiber breakouts on far end; chassis contains 3 spools		
Loaded with dual 12-fiber 3.0 mm plenum-rated, singlemode reduced bend radius cable per spool Chassis: almond	SC/UPC at panel end with SC/UPC on far end	RCP-377PU7xxx67
	SC/UPC at panel end with SC/APC on far end	RCP-377PUJxxx67
	SC/UPC at panel end with LC/UPC on far end	RCP-377PUKxxx67
	SC/APC at panel end with SC/UPC on far end	RCP-3J7PU7xxx67
	SC/APC at panel end with SC/APC on far end	RCP-3J7PUJxxx67
	SC/APC at panel end with LC/UPC on far end	RCP-3J7PUKxxx67
144-Position 3RU (5.25") Panel with 2mm single fiber breakouts on far end; chassis contains 3 spools		
Loaded with (2) dual 12-fiber 3.0 mm plenum-rated, singlemode reduced bend radius cable per spool Chassis: almond	LC/UPC at panel end with SC/UPC on far end	RCP-3KAPU7xxx67
	LC/UPC at panel end with SC/APC on far end	RCP-3KAPUJxxx67
	LC/UPC at panel end with LC/UPC on far end	RCP-3KAPUKxxx67

* Replace 'xxx' with standard length: 031=100ft (31m) or 061=200ft (61m) [ex: RCP-377PU703167].
Additional cable lengths (in 100ft increments) are available; contact CommScope for assistance.

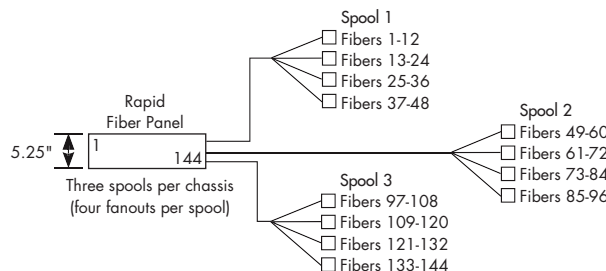
3 RU – SC Only

	Fibers	
Spool 1	1-12	13-24
Spool 2	25-36	37-48
Spool 3	49-60	61-72



3 RU – LC Only

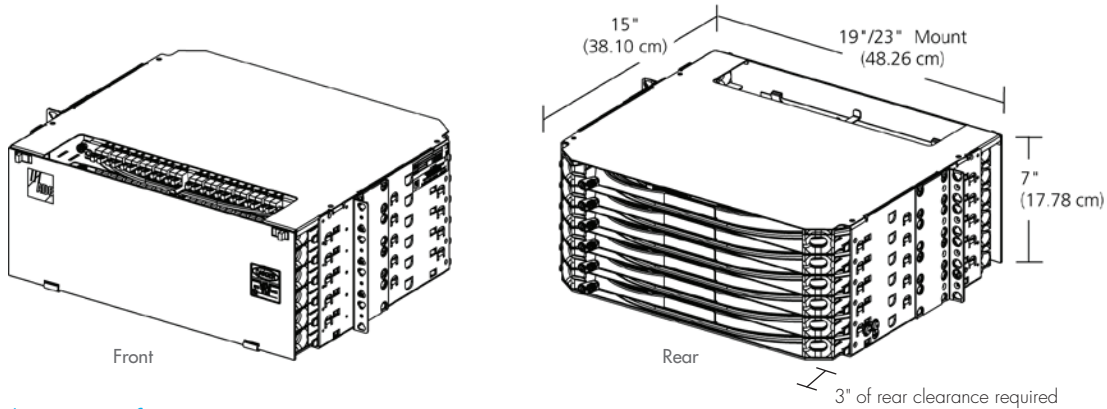
	Fibers			
Spool 1	1-12	13-24	25-36	37-48
Spool 2	49-60	61-72	73-84	37-48
Spool 3	97-108	109-120	121-132	133-144



Rapid Fiber Panel Series

Fiber Termination Panels with Single Fiber Breakouts

4 RU (7" H) Rapid Fiber Panels



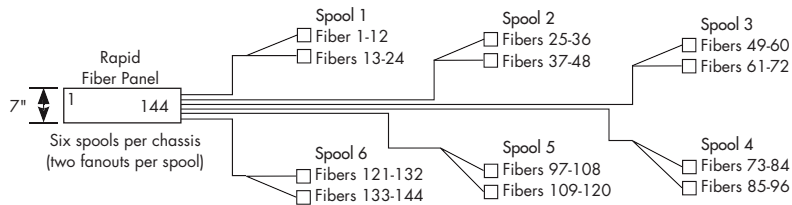
Ordering Information

Description	Connector Type	Part Number
144-Position 4RU (7.0") Panel with 2mm single fiber breakouts on far end; chassis contains 6 spools		
Loaded with dual 12-fiber 3.0 mm plenum-rated, singlemode reduced bend radius cable per spool Chassis: almond	SC/UPC at panel end with SC/UPC on far end	RCP-47APU7xxx67
	SC/UPC at panel end with SC/APC on far end	RCP-47APUJxxx67
	SC/UPC at panel end with LC/UPC on far end	RCP-47APUKxxx67
	SC/APC at panel end with SC/UPC on far end	RCP-4JAPU7xxx67
	SC/APC at panel end with SC/APC on far end	RCP-4JAPUJxxx67
	SC/APC at panel end with LC/UPC on far end	RCP-4JAPUKxxx67
	LC/UPC at panel end with SC/UPC on far end	RCP-4KAPU7xxx67
	LC/UPC at panel end with SC/APC on far end	RCP-4KAPUJxxx67
	LC/UPC at panel end with LC/UPC on far end	RCP-4KAPUKxxx67

* Replace 'xxx' with standard length: 031=100ft (31m) or 061=200ft (61m) [ex: RCP-47APU703167].
Additional cable lengths (in 100ft increments) are available; contact CommScope for assistance.

4 RU – SC Only

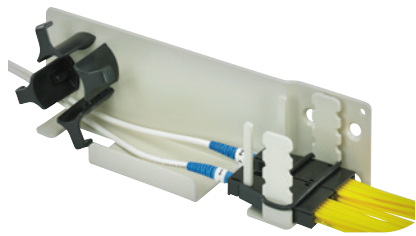
	Fibers	
Spool 1	1-12	13-24
Spool 2	25-36	37-48
Spool 3	49-60	61-72
Spool 4	73-84	85-96
Spool 5	97-108	109-120
Spool 6	121-132	133-144



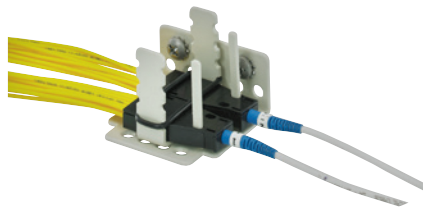
Rapid Fiber Panel Series

Fiber Termination Panels with Single Fiber Breakouts

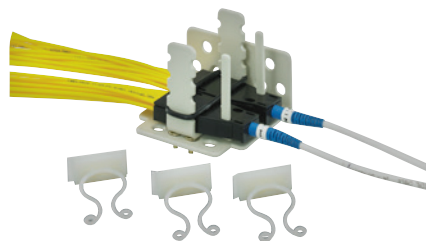
Frame Fanout Mounting Brackets



NG3 Fanout Bracket



LSX Fanout Bracket



FDF Fanout Bracket

Description*	Part Number
NG3 Bracket Bracket for attaching fanouts to standard NG3 panels (included with 67" single fiber breakout panels)	NG3-ACCMPOBKT
LSX Bracket Bracket for attaching fanouts to standard 7" high LSX panels	LSX-ACC036
8" FDF Bracket Bracket for attaching fanouts to standard 8" high FDF panels	FDF-ACC378
EIA/WECCO Bracket Bracket for attaching fanouts to Network or UEF style racks	RCP-ACCFANOUTBKT

*Rapid Fiber panels with fanouts do not include fanout mounting brackets.

Note: Fanout mounting brackets generally attach to the panels cable clamp mounting location.

Rapid Fiber Panel Series

Fiber Termination Panels with Stub and Pulling Eye

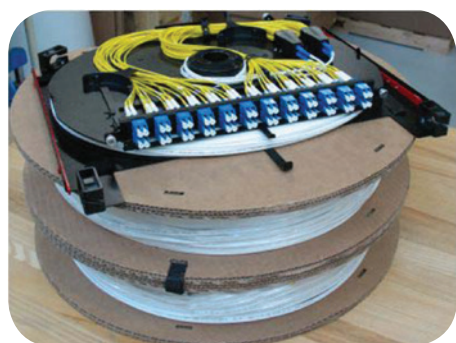
Specifications

	1 RU (1.75")	3 RU (5.25")	4 RU (7")
Mounting width:	19-inch or 23-inch, EIA or WECCO		
Recess options:	2, 4 or 5 inches (5.08, 10.16 or 12.7 cm)		
Spool assemblies per panel:	1	3	6
Connector types available on panel:	SC or LC	SC or LC	SC or LC
Ports per spool assembly:	SC=24, LC=48	SC =24, LC=48	24
Panel port capacity:	SC=24, LC=48	SC =72, LC=144	144
Payout cable connector types:	Singlemode or Multimode 12-fiber female MPO connectors		
Pulling eye pull force:	40 lbs (18.14 kg)		
Pulling eye diameter:	.72" (1.83 cm)		
	2 pulling eyes can be pulled through a 1.1" (2.8 cm) diameter opening		
Compliance:	UL 1863, NEBS Level 3, GR 1435, GR 326 and GR 409		

Maximum cable length shipped on internal spool

Panel Height	Fiber Terminations	LC (Indoor Plenum Cable)	SC (Indoor Plenum Cable)	LC (Indoor/Outdoor Riser Cable)	SC (Indoor/Outdoor Riser Cable)
1 RU	12	200 ft	200 ft	200 ft	200 ft
	24	100 ft	100 ft	100 ft	100 ft
3 RU	72	200 ft	200 ft	100 ft	100 ft
	144	100 ft	100 ft	NA	NA
4 RU	144	100 ft	100 ft	75 ft	75 ft

Note: Panels ordered with stub lengths listed above or shorter will be stored on the internal spool. For panels ordered with longer stub lengths the difference between the length ordered and the length above will be stored on a disposable external spool. In these situations the slide-in spool assemblies will ship separately from the chassis and will need to be installed in the field.



Rapid Fiber Panel with Internal Slide-In Spool and External Spool Assemblies (total up to 1000' microcable)



Pulling Eye for Rapid Fiber Panels with Stub Configuration

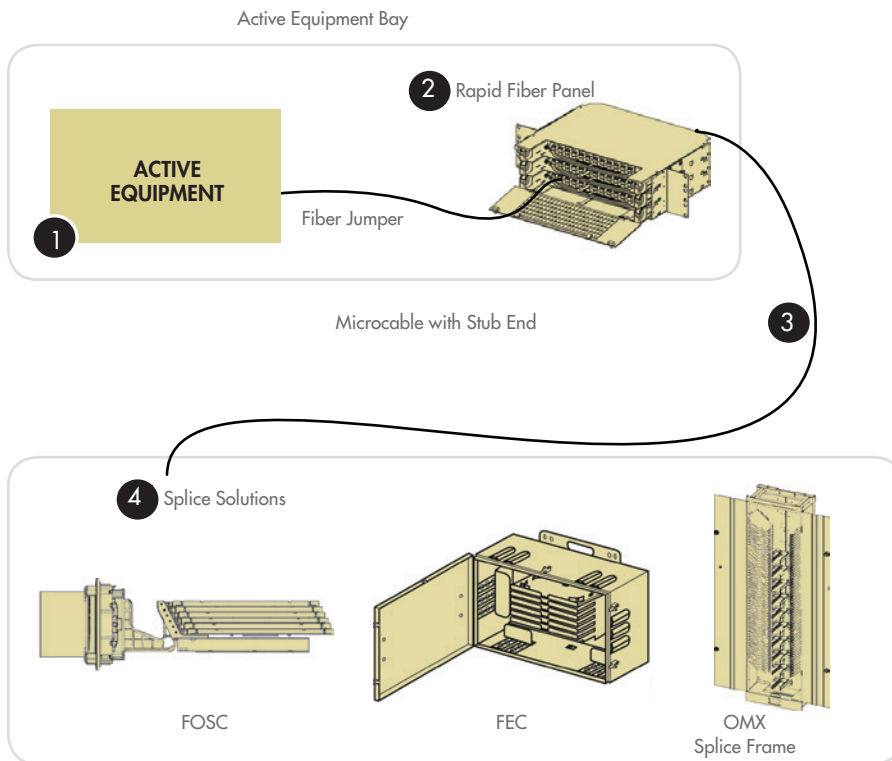
Rapid Fiber Panel Series

Fiber Termination Panels with Stub and Pulling Eye

Typical Central Office/Data Center Application



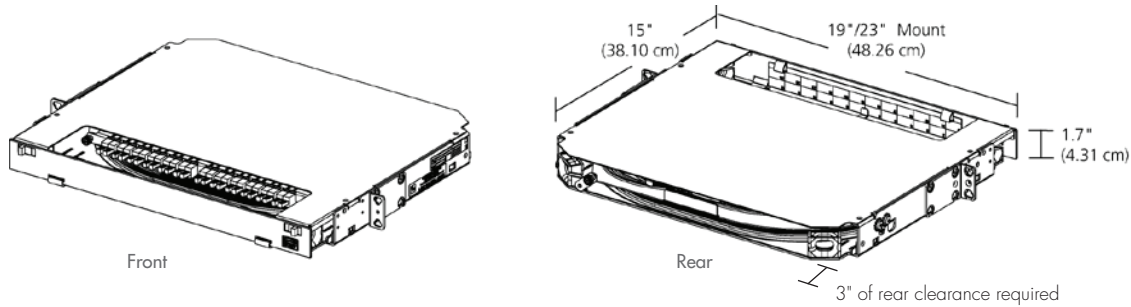
Shown above is a rendering of a typical Rapid Fiber panel application. Below is an interconnection diagram that details the application and also highlights some of the available frame and panel options with splice capabilities.



Rapid Fiber Panel Series

Fiber Termination Panels with Stub and Pulling Eye

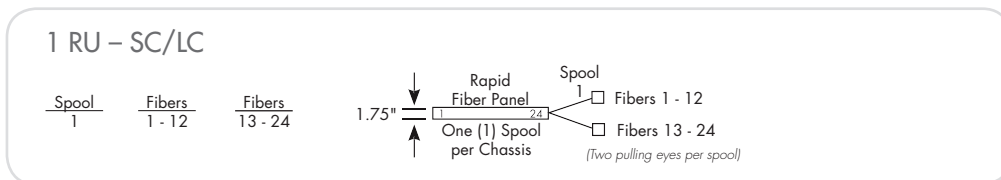
1 RU (1.75" H) Rapid Fiber Panels



Ordering Information

Description	Loaded with Cable Type	Connector Type	Part Number*
48-Position 1RU (1.75") Panel with stub and pulling eye on far end; chassis contains 1 spool			
Singlemode reduced bend radius cable; Chassis: almond	Two Dual 12-fiber 3.0mm plenum-rated cables	LC/UPC to Stub	RCP-1K4PU0xxx00
		LC/APC to Stub	RCP-1Z4PU0xxx00
Multimode 50/125 μm laser optimized to 500 meters (OM4) Chassis: black	Two Dual 12-fiber 3.0mm plenum-rated cables	LC to Stub	RCPB-1C4PU0xxx00
24-Position 1RU (1.75") Panel with stub and pulling eye on far end; chassis contains 1 spool			
Singlemode reduced bend radius cable; Chassis: almond	Dual 12-fiber 3.0 mm plenum-rated cable	SC/UPC to Stub	RCP-172PU0xxx00
		LC/UPC to Stub	RCP-1K2PU0xxx00
		SC/APC to Stub	RCP-1J2PU0xxx00
	Dual 12-fiber 3.6 mm indoor/outdoor-rated cable	SC/UPC to Stub	RCP-172DU0xxx00
		LC/UPC to Stub	RCP-1K2DU0xxx00
		SC/APC to Stub	RCP-1J2DU0xxx00
Multimode 50/125 μm laser optimized to 500 meters (OM4) Chassis: black	Dual 12-fiber 3.0 mm plenum-rated cable	SC to Stub	RCPB-1T2PU0xxx00
		LC to Stub	RCPB-1C2PU0xxx00
12-Position 1RU (1.75") Panel with stub and pulling eye on far end; chassis contains 1 spool			
Singlemode reduced bend radius cable; Chassis: almond	12-fiber 3.6 mm indoor/outdoor-rated cable	SC/UPC to Stub	RCP-171DU0xxx00
		LC/UPC to Stub	RCP-1K1DU0xxx00
		SC/APC to Stub	RCP-1J1DU0xxx00

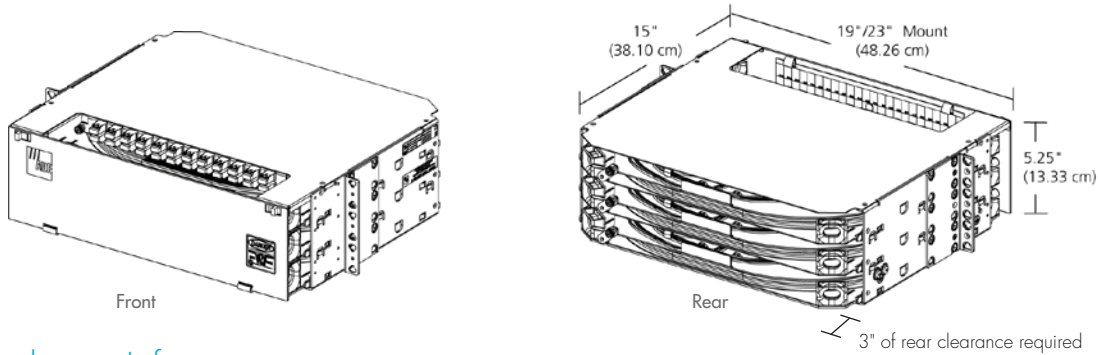
* Replace 'xxx' with standard length: 031=100ft (31m) or 061=200ft (61m) (ex: RCP-172PU03100).
Additional cable lengths (in 100ft increments) are available; contact CommScope for assistance.



Rapid Fiber Panel Series

Fiber Termination Panels with Stub and Pulling Eye

3 RU (5.25" H) Rapid Fiber Panels



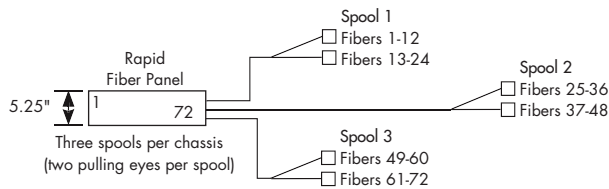
Ordering Information

Description	Loaded with Cable Type	Connector Type	Part Number*
72-Position 3RU (5.25") Panel with stub and pulling eye on far end; chassis contains 3 spools			
Singlemode reduced bend radius cable; Chassis: almond	Dual 12-fiber 3.0 mm plenum-rated cable	SC/UPC to Stub	RCP-377PU0xxx00
		SC/APC to Stub	RCP-3J7PU0xxx00
	Dual 12-fiber 3.6 mm indoor/outdoor-rated cable	SC/UPC to Stub	RCP-377DU0xxx00
		SC/APC to Stub	RCP-3J7DU0xxx00
Multimode 50/125 μm laser optimized to 500 meters (OM4) Chassis: black	Dual 12-fiber 3.0 mm plenum-rated cable	SC to Stub	RCPB-3T7PU0xxx00
144-Position 3RU (5.25") Panel with stub and pulling eye on far end; chassis contains 3 spool			
Singlemode reduced bend radius cable; Chassis: almond	(2) Dual 12-fiber 3.0 mm plenum-rated cable per spool	LC/UPC to Stub	RCP-3KAPU0xxx00
	(2) Dual 12-fiber 3.6 mm indoor/outdoor-rated cable per spool	LC/UPC to Stub	RCP-3KADU0xxx00
Multimode 50/125 μm laser optimized to 500 meters (OM4) Chassis: black	(2) Dual 12-fiber 3.0 mm plenum-rated cable per spool	LC to Stub	RCPB-3CAPU0xxx00

* Replace 'xxx' with standard length: 031=100ft (31m) or 061=200ft (61m) (ex: RCP-377PU003100).
Additional cable lengths (in 100ft increments) are available; contact CommScope for assistance.

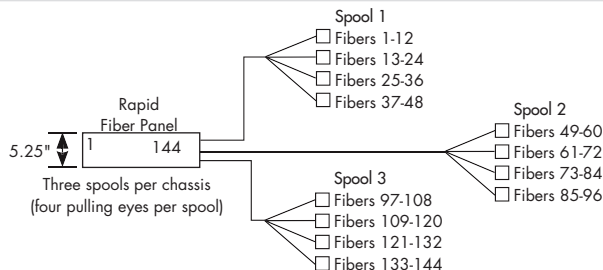
3 RU – SC Only

	Fibers	
Spool 1	1-12	13-24
Spool 2	25-36	37-48
Spool 3	49-60	61-72



3 RU – LC Only

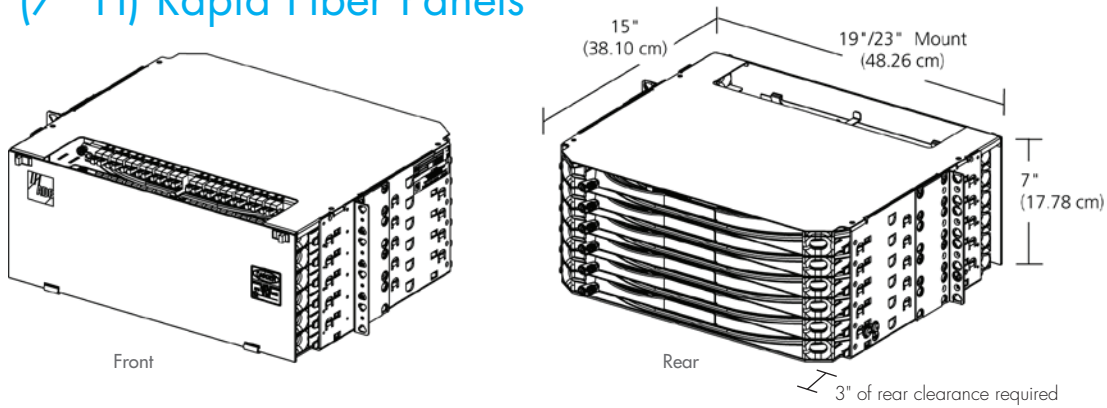
	Fibers			
Spool 1	1-12	13-24	25-36	37-48
Spool 2	49-60	61-72	73-84	85-96
Spool 3	97-108	109-120	121-132	133-144



Rapid Fiber Panel Series

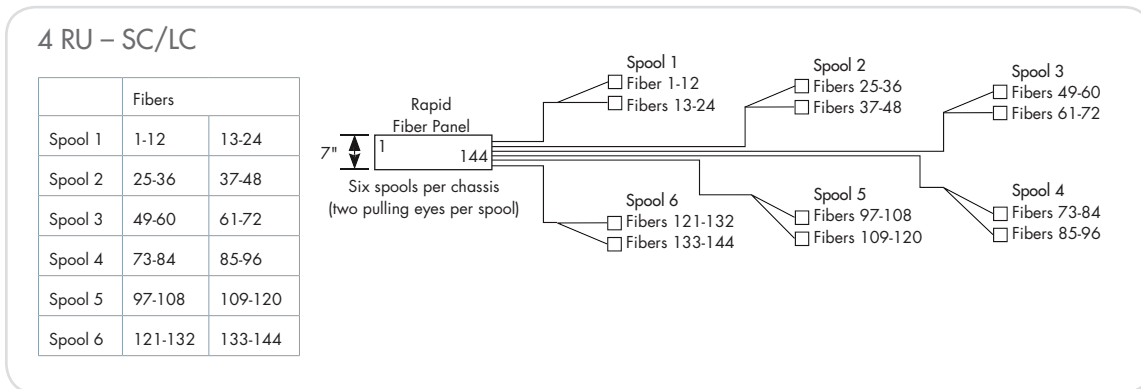
Fiber Termination Panels with Stub and Pulling Eye

4 RU (7" H) Rapid Fiber Panels

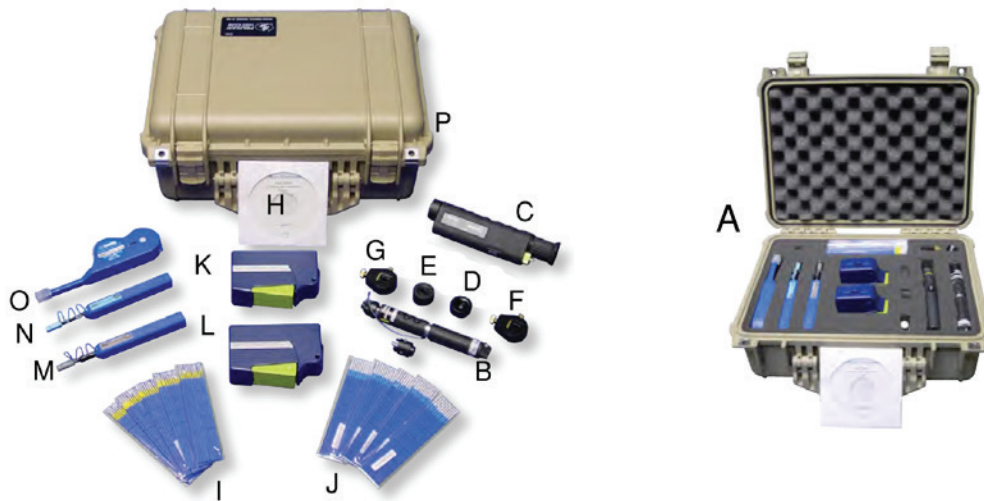


Description	Loaded with Cable Type	Connector Type	Part Number*
144-Position 4RU (7.0") Panel with stub and pulling eye on far end; chassis contains 6 spools			
Singlemode reduced bend radius cable; Chassis: almond	Dual 12-fiber 3.0 mm plenum-rated cable per spool	SC/UPC to Stub	RCP-47APU0xxx00
		LC/UPC to Stub	RCP-4KAPU0xxx00
		SC/APC to Stub	RCP-4JAPU0xxx00
	Dual 12-fiber 3.6 mm indoor/outdoor-rated cable per spool	SC/UPC to Stub	RCP-47ADU0xxx00
		LC/UPC to Stub	RCP-4KADU0xxx00
		SC/APC to Stub	RCP-4JADU0xxx00
Multimode 50/125 μm laser optimized to 500 meters (OM4) Chassis: black	Dual 12-fiber 3.0 mm plenum-rated cable per spool	SC to Stub	RCPB-4TAPU0xxx00
		LC to Stub	RCPB-4CAPU0xxx00

* Replace 'xxx' with standard length: 031=100ft (31m) or 061=200ft (61m) (ex: RCP-47APU003100).
Additional cable lengths (in 100ft increments) are available; contact CommScope for assistance.



Fiber Inspection Kit



Ordering Information

Product Description	Image	Quantity	Part Number
Optical Fiber Inspection and Cleaning Kit for Standard Connector Styles (LC, SC, ST, FC), MTRJ, and MPO. Kit includes everything needed to perform routine fiber maintenance and troubleshooting - including cleaning tools, an inspection microscope, a visual fault locator, and a CD-ROM with detailed inspection, cleaning instructions and a rugged carrying case. Kit components:	A	1	2064651-1
Visual Fault Locator (VFL) with 1.25 mm Adapter	B	1	1828352-2
200x Microscope with 2.5 mm Adapter	C	1	1754767-1
1.25 mm (LC) Microscope Adapter	D	1	1754765-1
MTRJ Microscope Adapter	E	1	1754768-1
MPOA Microscope Adapter	F	1	1828837-1
MPO Microscope Adapter	G	1	1828836-1
Termination Training, CD-ROM	H	1	2064710-1
2.5 mm Stick Cleaners (10/package)	I	5	1918807-1
1.25 mm Stick Cleaners (10/package)	J	5	1918808-1
One Slot Reel Cleaner	K	1	1918803-1
MTRJ with pins Reel Cleaner	L	1	1918804-1
SC in Bulkhead Cleaner (IBC)	M	1	2064499-1
LC IBC	N	1	2064500-1
MPO IBC	O	1	1918809-1
Premium Hard Case	P	1	TBD

Rapid Fiber Panel Series

Specifications

3mm 24-Fiber Zip Plenum Rated Microcable

Specifications

Jacket Color

Singlemode Plenum Rated:	Ivory
Multimode OM4:	Aqua

Environmental

Storage temperature:	-40° to 70° C (-40° to 158° F)
Operating temperature:	0° to 70° C (32° to 158° F)
Installation temperature:	0° to 50° C (32° to 122° F)

Mechanical

Number of Fibers:	24
Maximum tensile load	

Short term:	660 N (150 lbf)
Long term:	200 N (45 lbf)

Minimum bend radius

Installed:	30 mm (1.18")
Loaded:	60 mm (2.36")

Maximum compression:	10 N/mm (57 lbf/in)
-----------------------------	---------------------

Maximum impact:	2.94 N•m (2.17 lbf•ft)
------------------------	------------------------

Optical Performance

	Maximum attenuation (dB/km) 1310 nm/1550 nm	Typical attenuation (dB/km) 1310 nm/1550 nm	Guaranteed minimum bandwidth (MHz/km) 1310 nm/1550 nm
Singlemode reduced bend radius¹	1.0/1.0	0.4/0.3	N/A

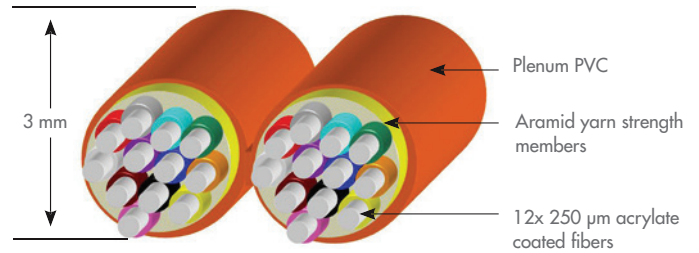
Transmission Performance – Guaranteed

	Fast Ethernet 100 Mbps 1310 nm/1550 nm	Gigabit Ethernet 1 Gbps 1310 nm/1550 nm	10 Gigabit Ethernet 10 Gbps 1310 nm/1550 nm
Singlemode reduced bend radius	2 km/NA	5 km/NA	10 km/40 km

Compliances

- Telcordia GR-409-CORE Interconnect Category,
 - Impact and compression compliant to horizontal and vertical backbone cable requirements
 - Tensile compliant to horizontal backbone cable requirements
- UL 910 plenum flammability rating
- EIA/TIA FOTPS
- EIA/TIA 568-B
- NFPA 262, NEC OFNP, FT-6
- Restriction of the use of hazardous substances. RoHS (2002/95/EC)
- Comply with California Prop 65 for Safe Drinking and Toxic Enforcement Act

¹ Reduced Bend Radius Fiber is compliant to ITU-T G.652.D, ITU-T G.657A&B, and IEC 60793-2-50 Type B.1.3



3.6 mm 12-Fiber Indoor/Outdoor Singlemode Microcable

Specifications

Environmental

Operating temperature: -40° to 75° C (-40° to 1678° F)

Installation temperature: -30° to 50° C (-22° to 122° F)

Mechanical

Number of Fibers: 12

Maximum tensile load (lbf)

Short term: 220 (50)

Long term: 110 (25)

Minimum bend radius (in.)

Installed: 36 mm (1.4")

Loaded: 54 mm (2.1")

Optical Performance

	Maximum attenuation (dB/km) 1310 nm/1550 nm	Typical attenuation (dB/km) 1310 nm/1550 nm	Guaranteed minimum bandwidth (MHz/km) 1310 nm/1550 nm
Singlemode reduced bend radius¹	1.0/1.0	0.4/0.3	N/A

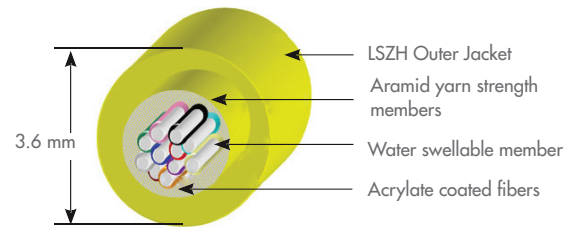
Transmission Performance – Guaranteed

	Fast Ethernet 100 Mbps	Gigabit Ethernet 1 Gbps	10 Gigabit Ethernet 10 Gbps
Singlemode reduced bend radius¹	2 km/NA	5 km/NA	10 km/40 km

Compliances

- Restriction of the use of hazardous substances RoHS (2002/95/EC)
- Comply with California Prop 65 for Safe Drinking and Toxic Enforcement Act
- Telcordia GR-20 tested to relevant specifications
- Telcordia GR-409-CORE, EIA/TIA FOTPS (Independently verified)
- ISO/IEC 11801, IEC 60794-2 Optical Fiber Cables Part 2
- EIA/TIA 568-B
- (UL) 1666, NEC OFNR (Riser Rated), FT-4

¹ Reduced Bend Radius Fiber allows the minimum bend radius to be cut in half and is compliant to ITUT G.652.D, ITU-T G.657A&B, and IEC 60793-2-50 Type B.1.3





www.commscope.com

Visit our website or contact your local CommScope representative for more information.

© 2016 CommScope, Inc. All rights reserved.

All trademarks identified by ® or ™ are registered trademarks or trademarks, respectively, of CommScope, Inc. This document is for planning purposes only and is not intended to modify or supplement any specifications or warranties relating to CommScope products or services.

CA-310111.7-AE (03/16)